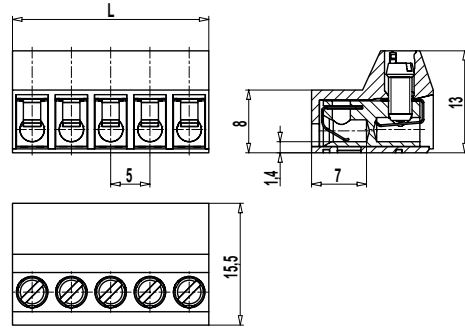


971-FBS(-DS)

Plug connector

Screw connection, pluggable from backside



GENERAL INFORMATION

| | |
|--------------|---|
| Pitch | 5 mm |
| No. of poles | 2 - 24 |
| Usable with | plug connectors 950-SVG, 971-FBSP, 951-SV |

TECHNICAL DATA

| | | | |
|-------------------------------|--|-------|---------------|
| Clamping Range | <i>solid / stranded / AWG</i> | | |
| <i>without wire protector</i> | 1 - 6 mm ² / 1 - 4 mm ² / 16 - 10 AWG | | |
| <i>with wire protector</i> | 0,75 - 4 mm ² / 0,75 - 2,5 mm ² / 18 - 12 AWG | | |
| Rated Cross Section | 2,5 mm ² | | |
| Wire Stripping Length | 5,5 mm ± 0,5 mm | | |
| Overvoltage Category | III | III | II |
| Pollution Severity Level | 3 | 2 | 2 |
| Rated Voltage | 250 V (200 V) | 320 V | 630 V (320 V) |
| Rated Impulse Voltage | 4 kV | 4 kV | 4 kV |
| Rated Current | 6 A | | |
| Torque | 0,5 Nm | | |
| Other specifications | Rated voltage in parentheses apply to 13-24 poles types. 2-12 poles types are "no-flame" acc. to glow-wire test. | | |

APPROVALS

| | Current [A] | Voltage [V] | Group | AWG | [Nm] |
|--|-------------|-------------|-------|-----------|------|
| | 20 | 300 | B | 22-12 [1] | 0,51 |
| | 10 | 300 | D | 22-12 [1] | 0,51 |
| | 20 | 300 | B | 26 - 12 | 0,4 |
| | 10 | 300 | D, E | 26 - 12 | 0,4 |

[1] Min No. 26 AWG for factory-wiring only

MATERIAL

| | |
|----------------------------|---|
| Moulding | PA, grey, V-0 |
| Comparative Tracking Index | 2-12 poles: CTI ≥ 600; 13-24 poles: CTI 250 |
| Insulating Group | 2-12 poles: I; 13-24 poles: IIIa |
| Temperature Range | -40°C up to 100°C |
| Terminal body | Tin plated brass |
| Screw | M3; zinc plated steel, blue passivated |
| Wire protector | Tin plated tin bronze |
| Spring | Stainless strip steel |

OPTIONS / ACCESSORIES

- Marking according to customer requirement
- Self-adhesive marking strip BST-5,00
- Pitch of 10 mm for larger clearance and creepage distances
- Version with extended wire entrance
- Double wire protector as bridge

CONFIGURATIONS

| Poles | Item | Article number | Item | Article number | Length (L) | Packaging | PU |
|-------|------------|----------------|---------------|----------------|------------|-----------|-----|
| 2 | 971-FBS/02 | 10.873.102 | 971-FBS-DS/02 | 20.873.102 | 10,00 mm | Box | 200 |
| 3 | 971-FBS/03 | 10.873.103 | 971-FBS-DS/03 | 20.873.103 | 15,00 mm | Box | 200 |
| 4 | 971-FBS/04 | 10.873.104 | 971-FBS-DS/04 | 20.873.104 | 20,00 mm | Box | 100 |
| 5 | 971-FBS/05 | 10.873.105 | 971-FBS-DS/05 | 20.873.105 | 25,00 mm | Box | 100 |
| 6 | 971-FBS/06 | 10.873.106 | 971-FBS-DS/06 | 20.873.106 | 30,00 mm | Box | 50 |
| 7 | 971-FBS/07 | 10.873.107 | 971-FBS-DS/07 | 20.873.107 | 35,00 mm | Box | 50 |
| 8 | 971-FBS/08 | 10.873.108 | 971-FBS-DS/08 | 20.873.108 | 40,00 mm | Box | 50 |
| 9 | 971-FBS/09 | 10.873.109 | 971-FBS-DS/09 | 20.873.109 | 45,00 mm | Box | 50 |
| 10 | 971-FBS/10 | 10.873.110 | 971-FBS-DS/10 | 20.873.110 | 50,00 mm | Box | 50 |
| 11 | 971-FBS/11 | 10.873.111 | 971-FBS-DS/11 | 20.873.111 | 55,00 mm | Box | 50 |
| 12 | 971-FBS/12 | 10.873.112 | 971-FBS-DS/12 | 20.873.112 | 60,00 mm | Box | 50 |

further number of poles on request

