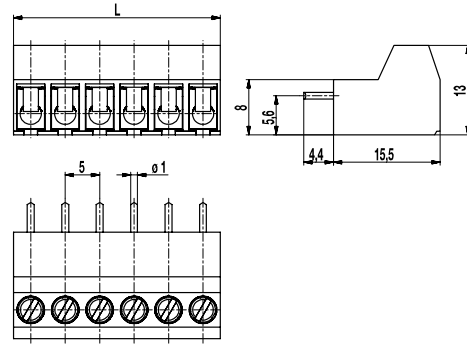


# 971-LH(-DS)

PCB connector

Screw connection, wire entrance vertical to PCB, pottable



## GENERAL INFORMATION

Pitch	5 mm
No. of poles	2 - 12

## TECHNICAL DATA

Clamping Range	<i>solid / stranded / AWG</i>		
<i>without wire protector</i>	1 - 6 mm <sup>2</sup> / 1 - 2,5 mm <sup>2</sup> / 16 - 12 AWG		
<i>with wire protector</i>	0,75 - 4 mm <sup>2</sup> / 0,75 - 2,5 mm <sup>2</sup> / 18 - 12 AWG		
Rated Cross Section	2,5 mm <sup>2</sup>		
Wire Stripping Length	8 mm ± 0,5 mm		
Overvoltage Category	III	III	II
Pollution Severity Level	3	2	2
Rated Voltage	250 V	320 V	630 V
Rated Impulse Voltage	4 kV	4 kV	4 kV
Rated Current	24 A		
Hole in PCB	ø 1,3 mm		
Torque	0,5 Nm		

## APPROVALS

	Current [A]	Voltage [V]	Group	AWG	[Nm]
	20	300	B	22-12 [1]	0,51
	10	300	D	22-12 [1]	0,51
	20	300	B	26 - 12	0,51
	10	300	D, E	26 - 12	0,51

[1] Min No. 26 AWG for factory-wiring only

## MATERIAL

Moulding	PA, grey, V-0
Comparative Tracking Index	CTI ≥ 600
Insulating Group	I
Temperature Range	-40°C up to 100°C
Terminal body	Tin plated brass
Screw	M3; zinc plated steel, blue passivated
Solder pin	ø 1 mm; tin plated copper
Wire protector	Tin plated tin bronze

## OPTIONS / ACCESSORIES

- Marking according to customer requirement
- Self-adhesive marking strip BST-5,00
- Further solder pin lengths on request
- Version with extended wire entrance
- Version with larger clamping range
- Double wire protector as bridge

## CONFIGURATIONS

Poles	Item	Article number	Item	Article number	Length (L)	Packaging	PU
2	971-LH/02	15.873.402	971-LH-DS/02	25.873.402	10,00 mm	Box	100
3	971-LH/03	15.873.403	971-LH-DS/03	25.873.403	15,00 mm	Box	100
4	971-LH/04	15.873.404	971-LH-DS/04	25.873.404	20,00 mm	Box	100
5	971-LH/05	15.873.405	971-LH-DS/05	25.873.405	25,00 mm	Box	100
6	971-LH/06	15.873.406	971-LH-DS/06	25.873.406	30,00 mm	Box	100
7	971-LH/07	15.873.407	971-LH-DS/07	25.873.407	35,00 mm	Box	100
8	971-LH/08	15.873.408	971-LH-DS/08	25.873.408	40,00 mm	Box	100
9	971-LH/09	15.873.409	971-LH-DS/09	25.873.409	45,00 mm	Box	50
10	971-LH/10	15.873.410	971-LH-DS/10	25.873.410	50,00 mm	Box	50
11	971-LH/11	15.873.411	971-LH-DS/11	25.873.411	55,00 mm	Box	50
12	971-LH/12	15.873.412	971-LH-DS/12	25.873.412	60,00 mm	Box	50

