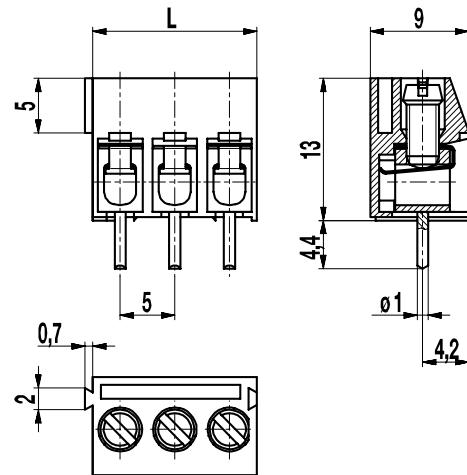
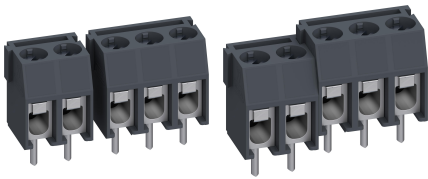


# 978-T(-DS)

PCB connector

Screw connection, interlocking, large conductor space



## GENERAL INFORMATION

Pitch	5 mm
No. of poles	2 + 3

## TECHNICAL DATA

Clamping Range	solid / stranded / AWG		
without wire protector	0,75 - 6 mm <sup>2</sup> / 0,75 - 4 mm <sup>2</sup> / 18 - 10 AWG		
with wire protector	0,34 - 6 mm <sup>2</sup> / 0,34 - 4 mm <sup>2</sup> / 22 - 10 AWG		
Rated Cross Section	2,5 mm <sup>2</sup>		
Wire Stripping Length	6,5 mm ± 0,5 mm		
Overvoltage Category	III	III	II
Pollution Severity Level	3	2	2
Rated Voltage	250 V	320 V	630 V
Rated Impulse Voltage	4 kV	4 kV	4 kV
Rated Current	24 A		
Hole in PCB	ø 1,3 mm		
Torque	0,5 Nm		

## APPROVALS

	Current [A]	Voltage [V]	Group	AWG	[Nm]
	20	300	B	22-12 [1]	0,51
	10	300	D, E	22-12 [1]	0,51
	20	300	B	26 - 12	0,51
	10	300	D, E	26 - 12	0,51

[1] Min No. 26 AWG for factory-wiring only

## MATERIAL

Moulding	PA, grey, V-0
Comparative Tracking Index	CTI ≥ 600
Insulating Group	I
Temperature Range	-40°C up to 100°C
Terminal body	Tin plated brass
Screw	M3; zinc plated steel, blue passivated
Solder pin	ø 1 mm; tin plated copper
Wire protector	Tin plated tin bronze

## OPTIONS / ACCESSORIES

- Marking according to customer requirement
- Self-adhesive marking strip BST-5,00
- Pitch of 10 mm for larger clearance and creepage distances
- Longer solder pins up to 95 mm
- 2 solder pins per pole, please see 978-TY
- Version with extended wire entrance

## CONFIGURATIONS

Poles	Item	Article number	Item	Article number	Length (L)	Packaging	PU
2	978-T/02	30.872.602	978-T-DS/02	40.872.602	10,00 mm	Box	250
3	978-T/03	30.872.603	978-T-DS/03	40.872.603	15,00 mm	Box	250

