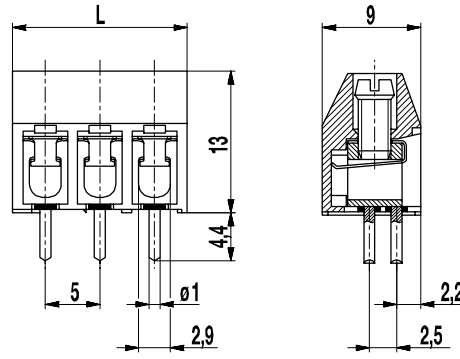
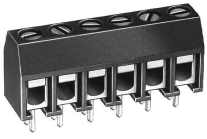


# 978-Y(-DS)

PCB connector

Screw connection, 2 solder pins per pole, large conductor space



## GENERAL INFORMATION

Pitch	5 mm
No. of poles	2 - 32

## TECHNICAL DATA

Clamping Range	<i>solid / stranded / AWG</i>		
<i>without wire protector</i>	0,75 - 6 mm <sup>2</sup> / 0,75 - 4 mm <sup>2</sup> / 18 - 10 AWG		
<i>with wire protector</i>	0,34 - 6 mm <sup>2</sup> / 0,34 - 4 mm <sup>2</sup> / 22 - 10 AWG		
Rated Cross Section	2,5 mm <sup>2</sup>		
Wire Stripping Length	6,5 mm ± 0,5 mm		
Overvoltage Category	III	III	II
Pollution Severity Level	3	2	2
Rated Voltage	250 V (200 V)	320 V	630 V (400 V)
Rated Impulse Voltage	4 kV	4 kV	4 kV
Rated Current	24 A		
Hole in PCB	Ø 1,3 mm		
Torque	0,5 Nm		
Other specifications	Rated voltage in parentheses apply to 9-32-pole connectors, "no-flame" according to glow wire test applies to 2-8-pole connectors.		

## APPROVALS

	Current [A]	Voltage [V]	Group	AWG	[Nm]
	20	300	B	22-12 [1]	0,51
	10	300	D	22-12 [1]	0,51
	20	300	B	26 - 12	0,51
	10	300	D, E	26 - 12	0,51
	Current [A]	Voltage [V]	mm <sup>2</sup>		
	24	250	4,0 [2]		

## CONFIGURATIONS

Poles	Part number	Article number	Part number	Article number	Length (L)	Packaging	PU
2	978-Y/02	30.872.802	978-Y-DS/02		11,00 mm	Box	250
4	978-Y/04	30.872.804	978-Y-DS/04		21,00 mm	Box	200
5	978-Y/05	30.872.805	978-Y-DS/05		26,00 mm	Box	100
6	978-Y/06	30.872.806	978-Y-DS/06		31,00 mm	Box	100

further number of poles on request

## MATERIAL

Moulding	PA, grey, V-0
Comparative Tracking Index	2-8 poles: CTI ≥ 600; 9-2 poles: CTI 400
Insulating Group	2-8 poles: I; 9- 32 poles: II
Temperature Range	-40°C up to 100°C
Terminal body	Tin plated brass
Screw	M3; zinc plated steel, blue passivated
Solder pin	Ø 1 mm; tin plated copper
Wire protector	Tin plated tin bronze

## OPTIONS / ACCESSORIES

- Consecutive numbering
- Special marking according to drawing
- Self-adhesive marking strip BST-5,00
- Longer solder pins up to 95 mm
- Version with extended wire entrance
- Double wire protector as bridge
- With test holes, see 970-MP

[1] Min No. 26 AWG for factory-wiring only  
 [2] Acc. to IEC 60947-7-4 und IEC 60947-1

