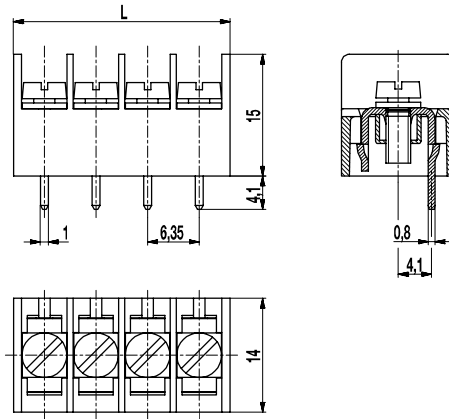
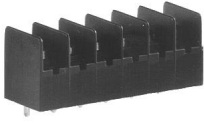


980-S

PCB connector

Screw connection, 1 solder pin per pole



GENERAL INFORMATION

Pitch	6,35 mm
No. of poles	2 - 32

TECHNICAL DATA

Clamping Range	<i>solid / stranded / AWG</i>		
	0,25 - 1,5 mm ² / 0,25 - 1 mm ² / 22 - 18 AWG		
Rated Cross Section	1 mm ²		
Wire Stripping Length	6 mm		
Overvoltage Category	III	III	II
Pollution Severity Level	3	2	2
Rated Voltage	320 V	320 V	630 V
Rated Impulse Voltage	4 kV	4 kV	4 kV
Rated Insulation Voltage	450 V acc. to EN 60998-1		
Rated Current	13,5 A		
Hole in PCB	ø 1,6 mm		
Torque	0,5 Nm		
Other specifications	Per pole two conductors of identical cross-section can be connected.		

APPROVALS

	Current [A]	Voltage [V]	Group	AWG	[Nm]
	7	300	B	22 - 18	0,51
	7	150	C	22 - 18	0,51
	7	300	B, D, E	22 - 18	0,51

CONFIGURATIONS

Poles	Part number	Article number	Length (L)	Packaging	PU
2	980-S/02	10.873.602	14,00 mm	Box	200
3	980-S/03	10.873.603	20,30 mm	Box	100
4	980-S/04	10.873.604	26,60 mm	Box	100
5	980-S/05	10.873.605	33,00 mm	Box	100
6	980-S/06	10.873.606	39,30 mm	Box	100

further number of poles on request

MATERIAL

Moulding	PA, grey, V-0
Comparative Tracking Index	CTI ≥ 600
Insulating Group	I
Temperature Range	-40°C up to 100°C
Pressure clamp	Tin plated brass
Screw	M3; zinc plated steel, blue passivated
Solder pin	0,8 x 1,0 mm; tin plated brass

OPTIONS / ACCESSORIES

- Consecutive numbering
- Special marking according to drawing
- Crosshead screws

