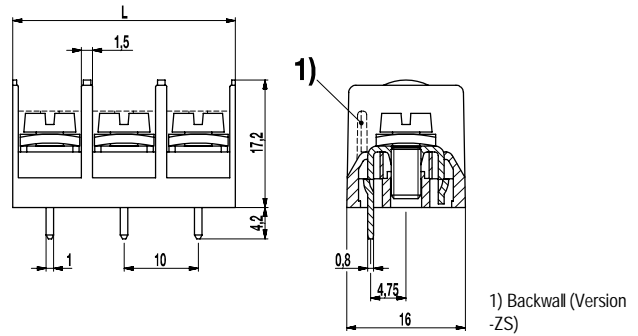


983-S/-ZS

PCB connector

Screw connection, 1 solder pin per pole



GENERAL INFORMATION

Pitch	10 mm
No. of poles	2 - 26

TECHNICAL DATA

Clamping Range	solid / stranded / AWG		
	0,5 - 2,5 mm ² / 0,5 - 2,5 mm ² / 20 - 12 AWG		
Rated Cross Section	2,5 mm ²		
Wire Stripping Length	8,5 mm ± 0,5 mm		
Overvoltage Category	III	III	II
Pollution Severity Level	3	2	2
Rated Voltage	500 V	630 V	1000 V
Rated Impulse Voltage	6 kV	6 kV	6 kV
Rated Insulation Voltage	750 V acc. to EN 60998-1		
Rated Current	24 A		
Hole in PCB	ø 1,6 mm		
Torque	1,2 Nm		
Other specifications	Per pole two wires of identical cross-section can be connected.		

APPROVALS

	Current [A]	Voltage [V]	Group	AWG	[Nm]
	20	300	B	20 - 12	1,13
	20	300	B	20 - 12	1,13
	10	300	D, E	20 - 12	1,13

CONFIGURATIONS

Poles	Item	Article number	Item	Article number	Length (L)	Packaging	PU
2	983-S/02	10.873.802	983-ZS/02	10.873.872	20,00 mm	Box	100
3	983-S/03	10.873.803	983-ZS/03	10.873.873	30,00 mm	Box	100
4	983-S/04	10.873.804	983-ZS/04	10.873.874	40,00 mm	Box	100
5	983-S/05	10.873.805	983-ZS/05	10.873.875	50,00 mm	Box	100
6	983-S/06	10.873.806	983-ZS/06	10.873.876	60,00 mm	Box	100
7	983-S/07	10.873.807	983-ZS/07	10.873.877	70,00 mm	Box	50
8	983-S/08	10.873.808	983-ZS/08	10.873.878	80,00 mm	Box	50
9	983-S/09	10.873.809	983-ZS/09	10.873.879	90,00 mm	Box	50
10	983-S/10	10.873.810	983-ZS/10	10.873.880	100,00 mm	Box	50
11	983-S/11	10.873.811	983-ZS/11	10.873.881	110,00 mm	Box	50
12	983-S/12	10.873.812	983-ZS/12	10.873.882	120,00 mm	Box	50

further number of poles on request

MATERIAL

Moulding	PA, grey, V-0
Comparative Tracking Index	CTI ≥ 600
Insulating Group	I
Temperature Range	-40°C up to 100°C
Pressure clamp	Tin plated brass
Screw	M4; zinc plated steel, blue passivated
Solder pin	0,8 x 1,0 mm; tin plated brass

OPTIONS / ACCESSORIES

- Consecutive numbering
- Special marking according to drawing
- Self-adhesive marking strip BST-10,00
- Crosshead screws
- 10 mm pin length

