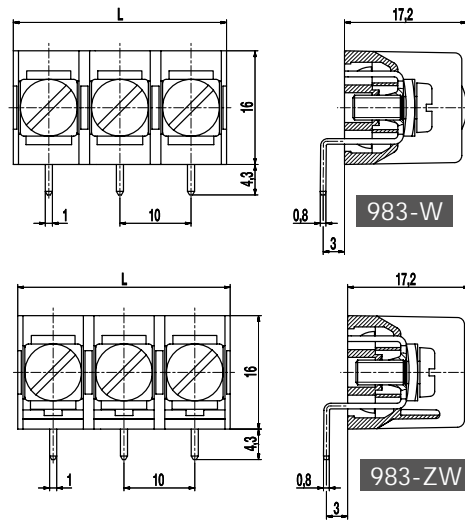


983-W/-ZW

PCB connector

Screw connection, wire entrance vertical to PCB



GENERAL INFORMATION

Pitch	10 mm
No. of poles	2 - 26

TECHNICAL DATA

Clamping Range	solid / stranded / AWG	
	0,5 - 2,5 mm ² / 0,5 - 2,5 mm ² / 20 - 12 AWG	
Wire Stripping Length	8,5 mm	
Overvoltage Category	III	
Pollution Severity Level	3	
Rated Voltage	500 V	
Rated Impulse Voltage	6 kV	
Rated Insulation Voltage	450 V acc. to EN 60998-1	
Rated Current	15 A	
Hole in PCB	ø 1,6 mm	
Torque	1,2 Nm	
Other specifications	Per pole two wires of identical cross-section can be connected.	

APPROVALS

	Current [A]	Voltage [V]	Group	AWG	[Nm]
	20	300	B	20 - 12	1,13
	20	300	B	20 - 12	1,13
	10	300	D, E	20 - 12	1,13

MATERIAL

Moulding	PA, grey, V-0
Comparative Tracking Index	CTI ≥ 600
Insulating Group	I
Temperature Range	-40°C up to 100°C
Pressure clamp	Tin plated brass
Screw	M4; zinc plated steel, blue passivated
Solder pin	0,8 x 1,0 mm; tin plated brass

OPTIONS / ACCESSORIES

- Consecutive numbering
- Special marking according to drawing
- Self-adhesive marking strip BST-10,00
- Crosshead screws

CONFIGURATIONS

Poles	Item	Article number	Item	Article number	Length (L)	Packaging	PU
2	983-W/02	30.873.802	983-ZW/02	30.872.872	20,00 mm	Box	100
3	983-W/03	30.873.803	983-ZW/03	30.872.873	30,00 mm	Box	100
4	983-W/04	30.873.804	983-ZW/04	30.872.874	40,00 mm	Box	100
5	983-W/05	30.873.805	983-ZW/05	30.872.875	50,00 mm	Box	100
6	983-W/06	30.873.806	983-ZW/06	30.872.876	60,00 mm	Box	100
7	983-W/07	30.873.807	983-ZW/07	30.872.877	70,00 mm	Box	50
8	983-W/08	30.873.808	983-ZW/08	30.872.878	80,00 mm	Box	50
9	983-W/09	30.873.809	983-ZW/09	30.872.879	90,00 mm	Box	50
10	983-W/10	30.873.810	983-ZW/10	30.872.880	100,00 mm	Box	50
11	983-W/11	30.873.811	983-ZW/11	30.872.881	110,00 mm	Box	50
12	983-W/12	30.873.812	983-ZW/12	30.872.882	120,00 mm	Box	50

further number of poles on request

