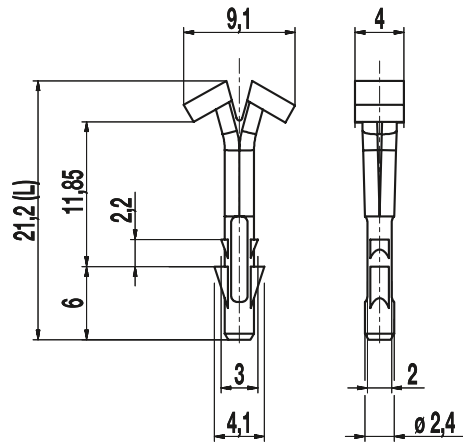
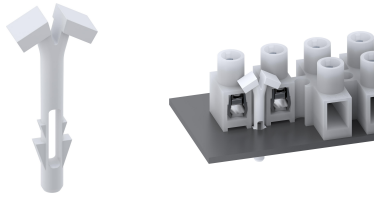


BEF-323

Mounting pin
Accessories



GENERAL INFORMATION

Usable with 323; 323-FU-16,5; 324; 321-S; 321-B; 322-D-SV;
322-FB; 322-SVW; 323-FBW; 323-PHFBW;
324-STFS; 324-STFB, 322-STFS; 323-STFB

Additional Information Maximum panel thickness for series:

- 323: 2,6 mm
- 323-FU-16,5: 2,1 mm
- 324: 1,1 mm
- 321-S: 2,8 mm
- 321-B: 2,8 mm
- 322-D-SV: 2,8 mm
- 322-FB: 2,8 mm
- 322-SVW: 2,8 mm
- 323-FBW: 2,8 mm
- 323-PHFBW: 2,8 mm
- 324-STFS: 1,1 mm
- 324-STFB : 1,1 mm
- 322-STFS: 2,8 mm
- 323-STFB: 2,8 mm

TECHNICAL DATA

Other specifications Mounting hole in the plate: \varnothing 3mm

MATERIAL

Moulding	POM, nature (whitish), HB
Comparative Tracking Index	CTI \geq 600
Temperature Range	-40°C up to 90°C

CONFIGURATIONS

Poles	Item	Article number	Length (L)	PU
1	BEF-323	10.476.019	21,2 mm	